



IRRIGATION AUTHORITY

INVITATION FOR BIDS

(Authorised under Section 16 of the Public Procurement Act 2006)

Open National Bidding

SUPPLY OF SPARE PARTS

PROCUREMENT REFERENCE NO: OMD/SPAREPARTS/12/24

CORRIGENDUM No. 1

1. Notice is hereby given to all Bidders of the followings:

- a) The range of the flexible coupling to be supplied at Bill Item No. 14 shall read as 318-335 instead of 315 -332.
- b) The annexure which is named as **ANNEX B** on page 71 of the bidding document was unintentionally omitted.
- c) **ANNEX B** is herewith attached for consideration.

Date: 15 May 2024

Irrigation Authority, 5th Floor, Fon Sing Building, 12, Edith Cavell Street, Port Louis

Tel : +230 210 6596

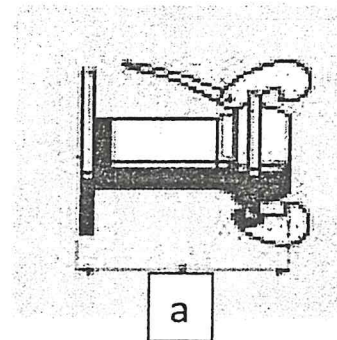
Fax: +230 212 7652

Email : irrig@irrig.org

SPECIFICATIONS FOR COUPLING

Quick Coupler – Male Coupler 6” including Hook and Flap mounting on flange DN 150 drilled to PN 16 (8 holes). The flanged connection can be of make Bauer or an equivalent to Bauer type as specified below:

Diameter of inlet pipe		a/mm	Flange
mm	inch	Around 330	PN 16
150	6		



A minimum of 50 mm clearance is to be observed when the handle/flap is in touch with the vertical riser after lowering the longer hook for fixing of the female coupler.

The coupling should be galvanized according to DIN 50976 or equivalent on any other international standard shall be accepted.